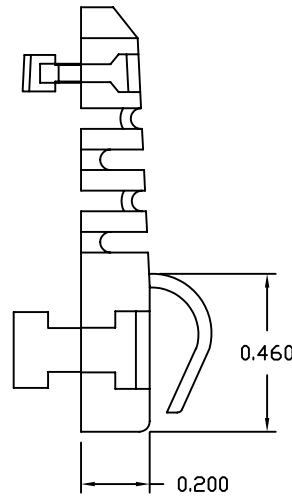
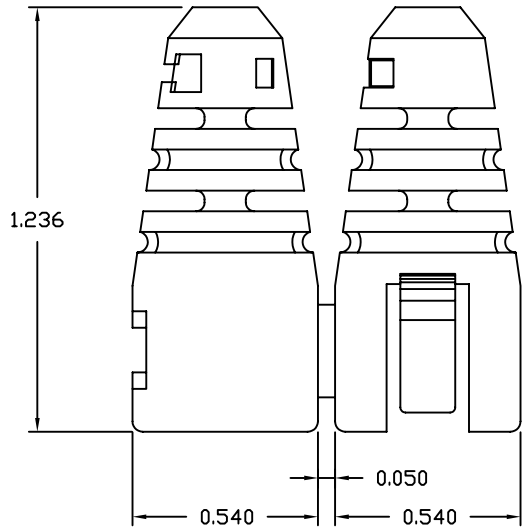
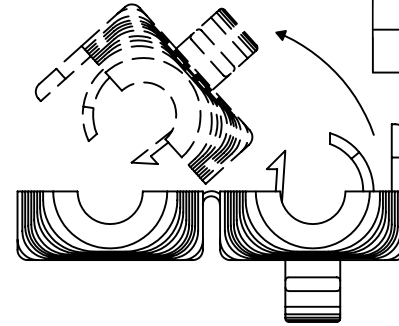
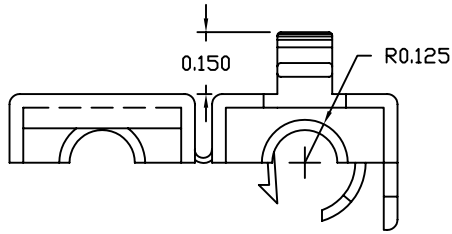


REV	DATE	DESCRIPTION	APP



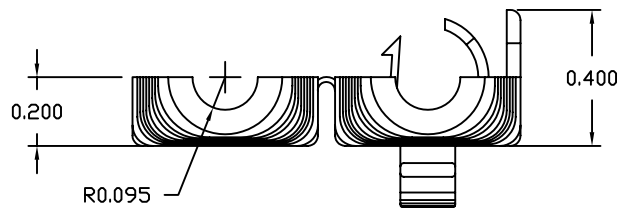
SNAP-ON PLASTIC COVER/
STRAIN RELIEF FOR RJ-45 PLUGS

PART NUMBER COLOUR

- 3010E10001 — — — BLACK
- 3010E10003 — — — DARK GRAY
- 3010E10004 — — — YELLOW
- 3010E10006 — — — BLUE
- 3010E10007 — — — VIOLET
- 3010E10008 — — — RED
- 3010E10009 — — — LIGHT GREEN
- 3010E10010 — — — WHITE
- 3010E10011 — — — LIGHT GRAY

NOTE:

1. MATERIAL: POLYPROPYLENE HOMOPOLYMER
2. COMPLIANCE NOTE:
PART MUST BE IN COMPLIANCE TO:
DIRECTIVE 2002/95/EC (RoHS)



THIS IS A CONTROLLED DOCUMENT AND IS SUBJECT TO CHANGE. CONTACT NORTHERN TECHNOLOGIES ENGINEERING FOR THE LATEST REVISION.

UNLESS OTHERWISE SPECIFIED		SIGNATURES	DATE	Northern Technologies		THIS DRAWING IS THE PROPERTY OF NORTHERN TECHNOLOGIES AND SHOULD NOT BE REPRODUCED WITHOUT NORTHERN TECHNOLOGIES WRITTEN PERMISSION.	
1. ALL DIMENSIONS ARE IN INCHES (MM) 2. DIMENSIONS ARE TYPICAL	DRAWN	L.C.	21-JUN-05	PART NUMBER		3010E100XX	
	CHECKED	JSD	21-JUN-05	DESCRIPTION		SNAP-ON RJ-45 STRAIN RELIEF	
	ENG			SHEET	CODE	DWG NO.	
	ISSUED		21-JUN-05	1	7100_094	7100-500-094	
			SCALE	N.T.S.			SHEET
							1 OF 1